



Intrauterine BIGATTI Shaver (IBS®)

IBS[®], an alternative approach to operative hysteroscopy

At present, conventional resection can be considered the gold standard procedure for major hysteroscopic operations. Despite well-recognized advantages of resection, several problems, such as fluid overload, uterine perforation due to unipolar or bipolar current, lack of visualization resulting in a time-consuming procedure, and a long learning curve, remain still unsolved.

In conjunction with KARL STORZ, we have developed a shaver system: The Intrauterine BIGATTI Shaver (IBS[®]). This shaver system is inserted through the working channel of a wide-angle telescope with parallel view and permits most operative procedures in hysteroscopy such as, for example, polypectomies or myomectomies (G0).

The IBS[®] consists of a 6° angled telescope with an integrated sheath and working channel in which a rigid shaver system is inserted. The outer diameter of the sheath is 24 Fr. (8 mm).

Recent developments have made it possible to simplify the shaver system design. The irrigation connector of the sheath is connected to the HYSTEROMAT E.A.S.I.[®], a double roller pump, to maintain distension inside the uterine cavity. Another tube connector between the DRILLCUT-X[®] II GYN handpiece and the HYSTEROMAT E.A.S.I.[®] ensures good visibility and continuous suction.

The rigid shaver system consists of two hollow and reusable metal tubes that fit into each other.

The inner tube oscillates within the outer tube and is connected to a handpiece (DRILLCUT-X[®] II GYN) and a motor control unit (UNIDRIVE[®] S III) as well as a (double) roller pump (HYSTEROMAT E.A.S.I.[®]) which is activated by a one-pedal footswitch. The footswitch simultaneously activates the movement of the shaver tip and aspiration of the double roller pump to allow continuous suction of irrigation fluid and tissue through the hollow shaver blade during the procedure.

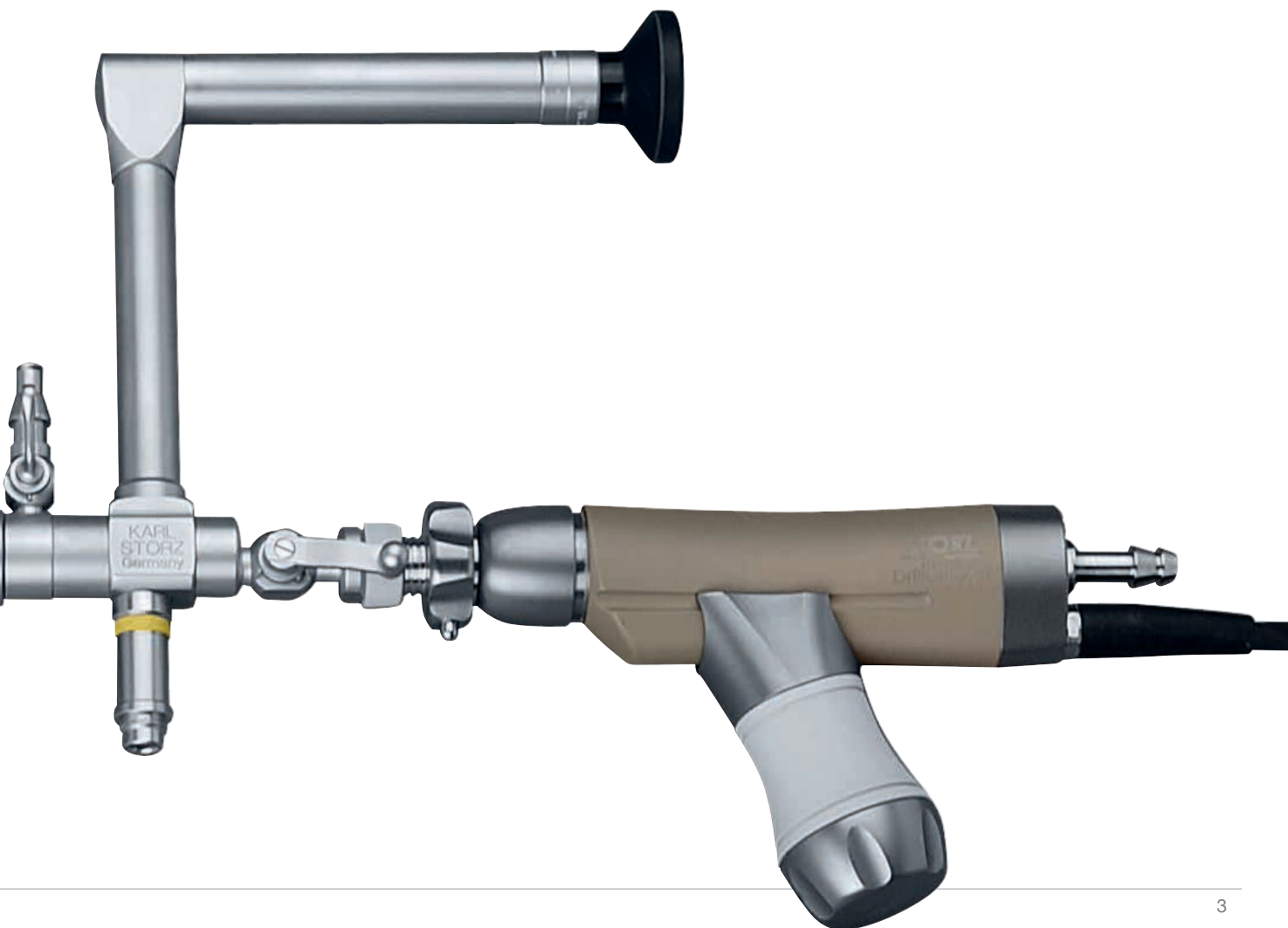
Thanks to this new possibility to use IBS[®] in combination with HYSTEROMAT E.A.S.I.[®], the setup of the system is now easier and faster.

G. Bigatti, M.D.
U.O. di Ostetricia
Milan, Italy



Benefits

- Reduced dilation of the cervix
- For use in physiological saline solution
- Reduced risk of fluid overload when using saline solution
- Resection without high-frequency current
- Perfect visualization thanks to direct extraction of tissue chips during resection



IBS[®], an alternative approach to operative hysteroscopy

HOPKINS[®] Wide-Angle Straight Forward Telescope 6°

- Brilliant image quality due to integrated rod lens system
- Integrated working and inflow channel

Operating Sheath

- Less dilation of the cervix due to thin outer diameter (24 Fr.)
- Continuous flow is achieved through the passive outflow

DRILLCUT-X[®] II Shaver Handpiece GYN, for use with UNIDRIVE[®] S III

- Adjustable ergonomic handle for simple handling
- Powerful oscillating rotations for fast resection
- Integrated suction channel for immediate removal of tissue chips out of the uterine cavity

Shaver Blades

- Two different blades for individual use
- Direct extraction of resected tissue through suction channel
- Optimal cutting performance

UNIDRIVE[®] S III Motor Unit, compatible with:

- IBS[®]
- ROTOCUT G1 / G2 Morcellators
- SUPERCUT SAWALHE II Morcellator

HYSTEROMAT E.A.S.I.[®]

- Constant monitoring of intrauterine pressure due to continuous-flow function
- Predefined procedures
- Optimal flow properties allow sufficient dilation of the uterine cavity that is gentle on the patient

Alternative to HYSTEROMAT E.A.S.I.[®]:

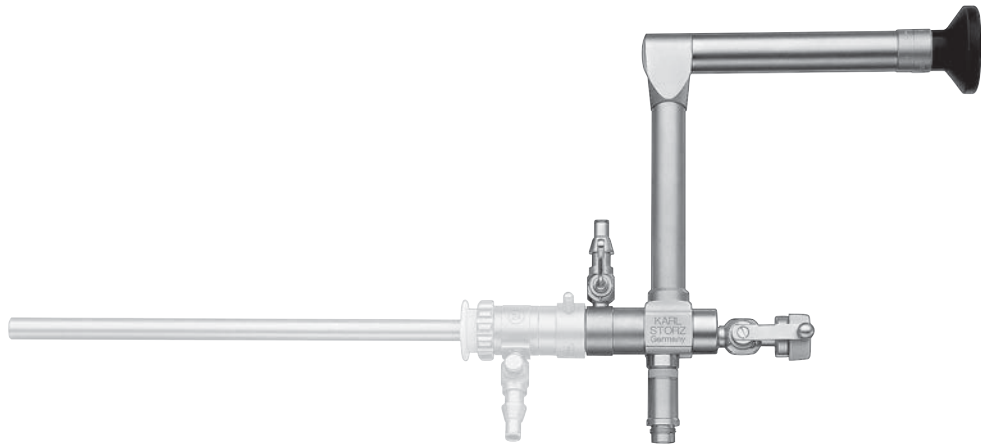
ENDOMAT[®] LC

- Necessary roller pump for powerful suction
- Required in conjunction with HAMOU[®] ENDOMAT[®]

HAMOU[®] ENDOMAT[®]

- Powerful roller pump for both irrigation and suction
- Constant intrauterine pressure
- Continuous regulated irrigation

IBS® System Components



26092 AMA **HOPKINS® Wide Angle Straight Forward Telescope 6°**, with parallel eyepiece, length 20 cm, **autoclavable**, fiber optic light transmission incorporated, with working channel, with LUER-Lock connector for inflow, color code: yellow



26093 CD **Operating Sheath, 24 Fr.**, rotating, for continuous irrigation and passive outflow, with LUER-Lock stopcock, color code: white

26093 OC **Hollow Obturator**, color code: white



26 7020 50 **DRILLCUT-X® II Shaver Handpiece GYN**, for use with UNIDRIVE® S III SCB

Optional

40 7120 90 **Handle**, adjustable, for use with DRILLCUT-X® II Shaver Handpiece GYN **26 7020 50**

IBS® System Components



26208 SA **Shaver Blade GYN**, straight, sterilizable, concave cutting edge, double serrated, oval cutting window, diameter 4 mm, length 32 cm, for use with DRILLCUT-X® II Handpiece **26702050**, color code: blue-green



26208 SB **Shaver Blade GYN**, straight, sterilizable, double serrated cutting edge, rectangular cutting window, diameter 4 mm, length 32 cm, for use with DRILLCUT-X® II Handpiece **26702050**, color code: blue-yellow

IBS® System Components

Optional

Bipolar coagulation electrode with high frequency cord for use with existing HF unit



26208 SZ **Coagulation Electrode**, bipolar, for use with Intrauterine BIGATTI Shaver (IBS®)



26176 LE **Bipolar High Frequency Cord**, length 300 cm, for AUTOCON® II 400 SCB system (111, 113, 115, 122, 125), AUTOCON® II 200, AUTOCON® II 80, Coagulator 26021 B/C/D, 860021 B/C/D, 27810 B/C/D, 28810 B/C/D, AUTOCON® series (50, 200, 350), Erbe-Coagulator, T and ICC series

Optional Biopsy and Grasping Forceps

These optional biopsy and grasping forceps are introduced through the working channel of the telescope and can be used to remove any remaining tissue remnants. Interventions such as septum dissection or adhesiolyses can, therefore, be performed more quickly.



26310 MA **MAZZON Biopsy Forceps**, diameter 3 mm, single action jaws, for use with Examination Sheaths 26161 VB and 26163 V including:
CLICKLINE Metal Handle, without ratchet
Outer Sheath, with working insert



26310 MG **MAZZON Biopsy Forceps**, with alligator jaws, diameter 3 mm, double action jaws, for use with Examination Sheaths 26161 VB and 26163 V including:
CLICKLINE Metal Handle, with hemostat style ratchet
Outer Sheath, with working insert

Required Units



Shaver control unit

- 26701001-1 **UNIDRIVE® S III SCB**, power supply 100-120/230-240 VAC, 50/60 Hz including:
Mains Cord
One-Pedal Footswitch, two-stage
SCB Connecting Cable, length 100 cm

- 20701070 **Control Cable**, for transmission of foot switch control signal between UNIDRIVE® S III und HYSTEROMAT EASI® E.A.S.I.®



Irrigation and suction pump for pressure-controlled dilation

- 26340001-1 **HYSTEROMAT E.A.S.I.® SCB**, power supply 100-240 VAC, 50/60 Hz, HYSTEROMAT E.A.S.I.® SCB: SCB ready, compatible from RUI Release 45 including:
Mains Cord
SCB Connecting Cable
Basic Tubing Set, for single use

Recommended accessories



- 031717-10 **Tubing Set IRRIGATION**, for single use, sterile, package of 10, with two puncture needles, for use with KARL STORZ HYSTEROMAT E.A.S.I.®



- 031217-10 **Tubing Set SUCTION**, for single use, sterile, package of 10, for use with KARL STORZ HYSTEROMAT E.A.S.I.®

Alternative Units



Irrigation pump for safe pressure-controlled dilation of the operating field

- 26331101-1 **HAMOU® ENDOMAT® SCB**, with integrated SCB module, power supply 100-240 VAC, 50/60 Hz including:
SCB Connecting Cable, length 100 cm
Cassette Tubing Sets, for single use
VACUSAFE Suction, 2 l

- 031517-10 **Cassette Tubing Set**, with two puncture needles, for single use, sterile, package of 10, for hysteroscopy



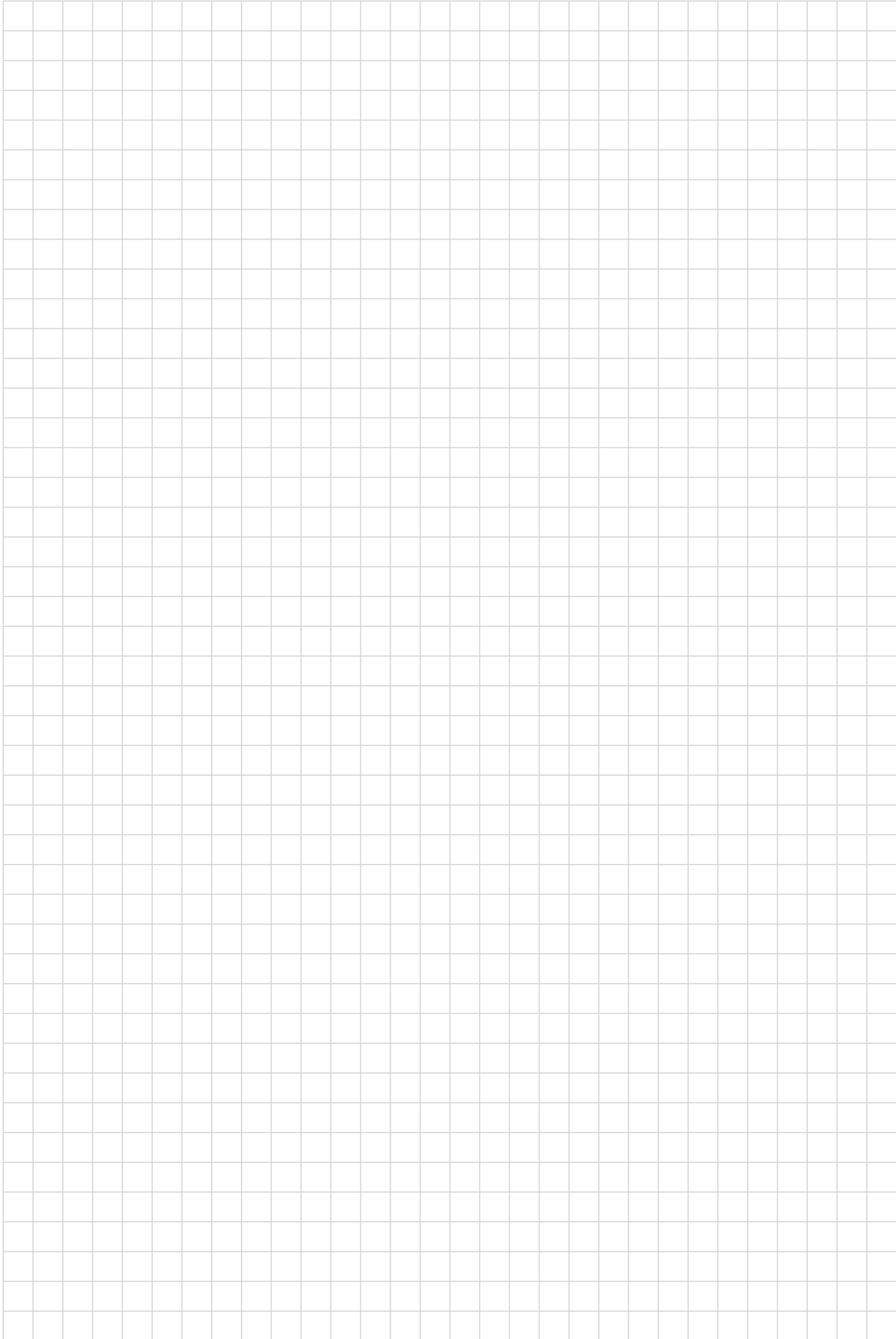
Suction pump for suction of tissue concretions

- 20330302-1 **ENDOMAT® LC SCB**, suction pump, power supply 100-240 VAC, 50/60 Hz, for use with UNIDRIVE® S III, system requirements for use with SCB-PC: SCB-R-UI Software Release, V03.20.00.xx or higher including:
Silicone Tubing Set, for suction, sterilizable
SCB Connecting Cable, length 100 cm
Control Cable, UNIDRIVE® S III – KARL STORZ pump systems

- 031247-10 **Tubing Set**, for suction, for single use, sterile, package of 10

- 030970-10 **Tissue Trap Filter**, with adaptor, for single use, package of 10, for use with VACUSAFE suction bags and other suction bottle systems

Notes





KARL STORZ GmbH & Co. KG
Mittelstraße 8, 78532 Tuttlingen, Germany
Postbox 230, 78503 Tuttlingen, Germany
Phone: +49 (0)7461 708-0
Fax: +49 (0)7461 708-105
E-Mail: info@karlstorz.com

www.karlstorz.com

